

Overhead and Floor Chain Conveyors



RAILTECHNIEK
VAN HERWIJNEN BV

SPECIALISTS IN OVERHEAD CONVEYORS

Index

Introduction

What is a Chain Conveyor System?	3
--	---

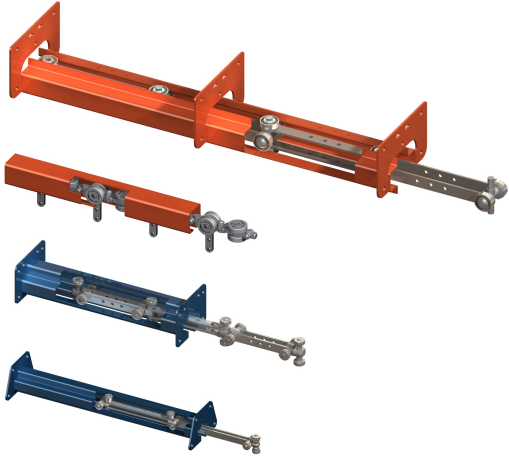
Products

D8 Chain Conveyor	4
G8 Floor Chain Conveyor	5
K8 Chain Conveyor	6
K10 Chain Conveyor	7
STS Chain Conveyor	8
Cleantrack Chain Conveyor	9

Components

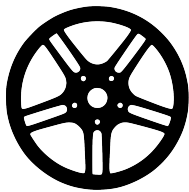
Teleflex D8 Chain	10
Teleflex K8 & K10 Chain	11
SGC STS Chain	12
Horizontal and Vertical Bends	13
Drive Units	14
Other components	15

What is a Chain Conveyor System?



A chain conveyor is often the best and most economical solution for the continuous and indexed transport of products. Our chain conveyors have a compact, bolted track design for easy assembly without welding, allowing for a modular system with highest quality moveable components inside the track.

A chain conveyor typically consists of a track with a drive chain running through it. The products are hung directly from the chain via pendants or other product hangers that carry the product across the shop floor.



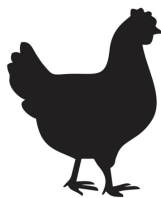
Automotive Industry

We are specialized in providing solutions for the automotive industry, namely for the production of trucks, wheels and other specialized machinery, where parts need to be routed to multiple spray booths or the smooth and shake-free transportation of products is required.



Surface Treatment

Our conveyors are widely used across the surface treatment industry, carrying the product through flash-off zones, spray cabins, powder coating units, washing areas, pretreatment areas, drying and curing ovens.



Food Processing

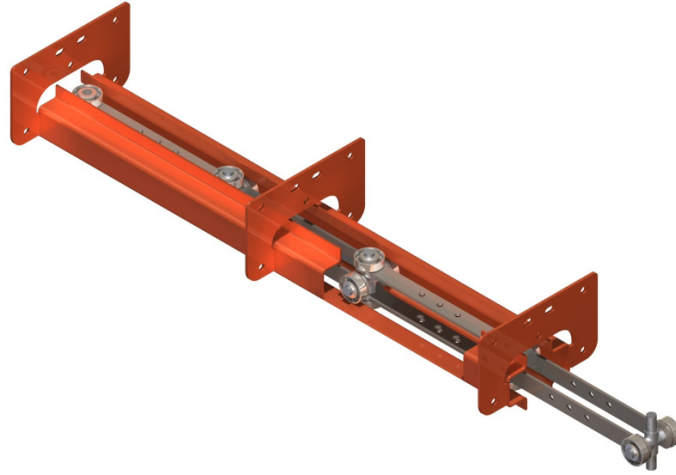
We have specially designed food-grade chain conveyors that are used in the food industry for food processing applications. They operate with no metal to metal contact, ensuring a non-toxic, non-corrosive and smooth running operating environment.



Other Industries

We provide custom solutions to clients in a variety of different industries ranging from bicycle manufacturers to foundries and timber factories. We are able to provide fully customized solutions to meet our clients' needs.

D8 Chain Conveyor



The D8 chain conveyor system is our oldest and most popular motor-driven conveyor, with a cardan chain that moves within a rail system.

A helical or caterpillar drive unit engages with the conveyor chain, moving it forward. At fixed intervals, product “hangers” are installed. This can be a simple plate or a flight bar, depending on the installation and the clients’ requirements.



Chain pitch:

203.2 mm / 8.0”

Max. Temperature:

230°C / 446°F

Max. Load:

200 kg/m | 134.4 lbs/ft

Max. Load per hanger plate:

150 kg / 330.7 lbs

Standard Length, straight profile:

3.0 m / 9.8 ft

Horizontal bends:

750 mm / 29.5” radius at 15°/ 30°/ 45°/ 60°/ 90°

Vertical bends:

1118 mm / 44.0” radius at 15°/ 30°/ 45°/ 60°/ 90°

Drive unit:

Caterpillar drive / Worm drive

Tension unit:

Draw bolt

G8 Floor Chain Conveyor



The G8 Floor Conveyor is an inverted chain conveyor, based on the original Teleflex D8 overhead conveyor system.

The system can transport loads with high stability and accuracy and is specially designed for use in paint finishing and assembly lines. The G8 inverted conveyor uses the unique helical drive system which ensures the smooth and shake-free transportation of products, widely used in production processes in the automotive industry.



Chain pitch:

203.2 mm / 8.0"

Max. Temperature:

230°C / 446°F

Max. Load:

200 kg/m | 134.4 lbs/ft

Max. Load per carrier:

150 kg / 330.7 lbs

Standard Length, straight profile:

3.0 m / 9.8 ft

Horizontal bends:

750 mm / 29.5" radius at 15°/ 30°/ 45°/ 60°/ 90°

Vertical bends:

1118 mm / 44.0" radius at 15°/ 30°/ 45°

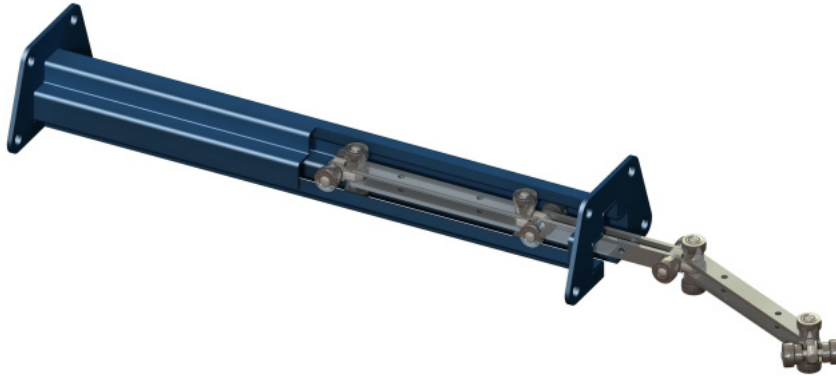
Drive unit:

Caterpillar drive / Worm drive

Tension unit:

Draw bolt

K8 Chain Conveyor



The K8 is a light-duty motor-driven conveyor, with a chain that moves within a rail system.

At fixed intervals, product “hangers” are installed to transport the desired product along the conveyor.

The horizontal and vertical bends can be offered at various radii depending on the pitch lengths and the product being carried.



Chain pitch:

100 / 150 / 200 mm | 3.9 / 5.9 / 7.9”

Max. Temperature:

230°C / 446°F

Max. Load:

50 kg/m | 33.6 lbs/ft

Max. Load per hanger plate:

50 kg / 110.2 lbs

Standard Length, straight profile:

3.0 m / 9.8 ft

Horizontal bends:

250 mm / 9.8” radius at 15°/ 30°/ 45°/ 60°/ 90°

500 mm / 19.7” radius at 15°/ 30°/ 45°/ 60°/ 90°

780 mm / 30.7” radius at 15°/ 30°/ 45°/ 60°/ 90°

Vertical bends:

250 mm / 9.8” radius at 15°/ 30°/ 45°/ 60°/ 90°

350 mm / 13.8” radius at 15°/ 30°/ 45°/ 60°/ 90°

500 mm / 19.7” radius at 15°/ 30°/ 45°/ 60°/ 90°

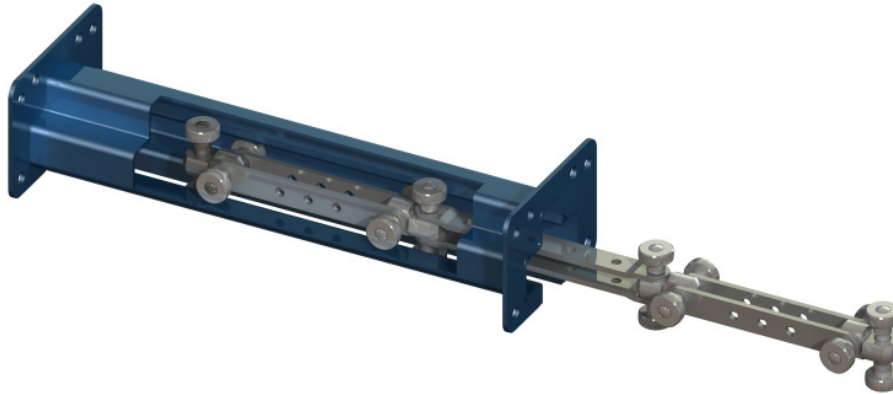
Drive unit:

Caterpillar drive

Tension unit:

Draw bolt

K10 Chain Conveyor



The K10 is a medium-duty motor-driven conveyor, with a chain that moves within a rail system.

At fixed intervals, product “hangers” are installed to transport the desired product along the conveyor.

The hangers can be unloaded once the product has completed its route through processes like painting or curing, after which the hangers can be loaded again as desired.



Chain pitch:

200 mm / 7.9"

Max. Temperature:

230°C / 446°F

Max. Load:

100 kg/m | 67.2 lbs/ft

Max. Load per hanger plate:

100 kg / 220.5 lbs

Standard Length, straight profile:

3.0 m / 9.8 ft

Horizontal bends:

780 mm / 30.7" radius at 15°/ 30°/ 45°/ 60°/ 90°

Vertical bends:

500 mm / 19.7" radius at 15°/ 30°/ 45°

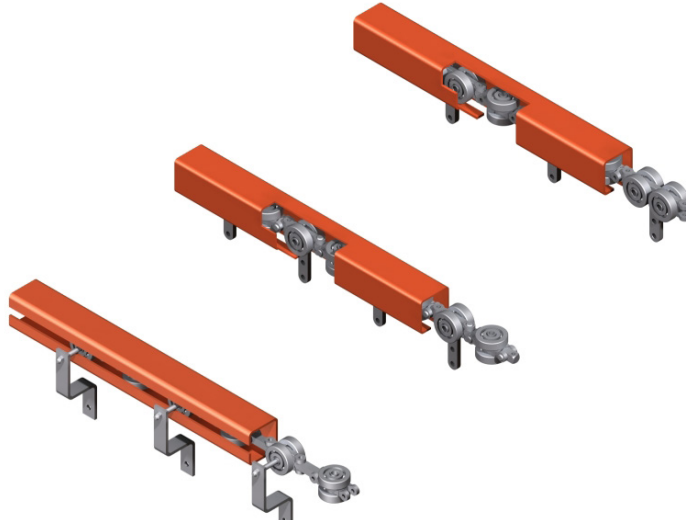
Drive unit:

Caterpillar drive

Tension unit:

Draw bolt

STS Chain Conveyor



The STS (Square Track Section) is a robust, efficient and hard-wearing monorail overhead chain conveyor, suitable for use in a wide variety of applications.

Due to its modular design, the STS 550M is simple to install, maintain and modify. Flexibility on its load capability allows customers greater possibilities for future workload changes. It's small bend radius makes compact installations possible.



Chain pitch:

76.2, 101.6 mm / 3", 4"

Max. Temperature:

260°C / 500°F

Max. Load:

150 kg/m | 100.8 lbs/ft

Max. Load per hanger plate:

113 kg / 249 lbs

Standard Length, straight profile:

6.0 m / 19.7 ft

Horizontal bends:

3" Chain: 305 mm / 12" radius at 15°/ 30°/ 45°/ 60°/ 90°/160

4" Chain: 610 mm / 24" radius at 15°/ 30°/ 45°/ 60°/ 90°/180

Vertical bends:

3" Chain: 305 mm / 12" radius at 15°/ 30°/ 45°/ 60°/ 90°/160

4" Chain: 610 mm / 24" radius at 15°/ 30°/ 45°/ 60°/ 90°/180

Drive unit:

Caterpillar drive

Tension unit:

Spring-loaded

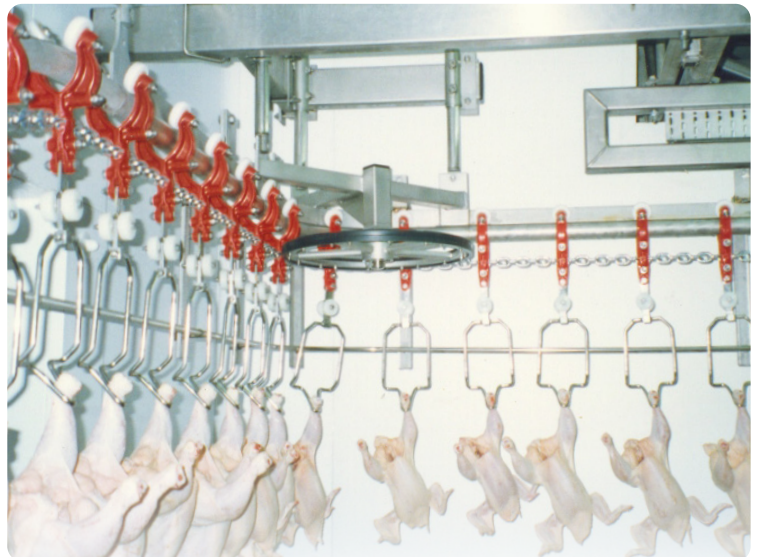
Cleantrack Chain Conveyor

The Cleantrack chain conveyor offers an ultra-hygienic solution for the food processing and related industries.

The Cleantrack™ is a lightweight, easily adaptable system which operates with no metal to metal contact, ensuring a non-toxic, non-corrosive and smooth running operating environment.

The plastic trolley is 50% lighter than cast steel. It is produced from (POM) Polyoxymethylene), which ensures good chemical resistance, low moisture absorption and temperature resistance. It has an ultra-smooth surface for better cleaning and easy maintenance.

There is also a variation with a stainless steel trolley.



Chain pitch:

152.4, 203.2, 254, 304.8 mm / 6", 8", 10", 12"

Min / Max. Temperature:

-30°C to 150°C / -22°F to 302°F

Max. Load:

150 kg/m | 101 lbs/ft

Max. Load per Trolley:

Plastic : 20 kg / 44.1 lbs

Stainless Steel: 35 kg / 77.2 lbs

Standard Length, straight profile:

6.0 m / 19.7 ft

Horizontal turn wheels 90°/180°:

304.8, 482.6, 533.4 mm / 12", 19", 21" radius
at 15°/ 30°/ 45°/ 60°/ 90°

Vertical bends:

762 mm / 30" radius at 15°/ 30°/ 45°

Drive unit 90°/180°:

Sprocket drive

Tension unit:

Spring-loaded

Teleflex D8 Chain

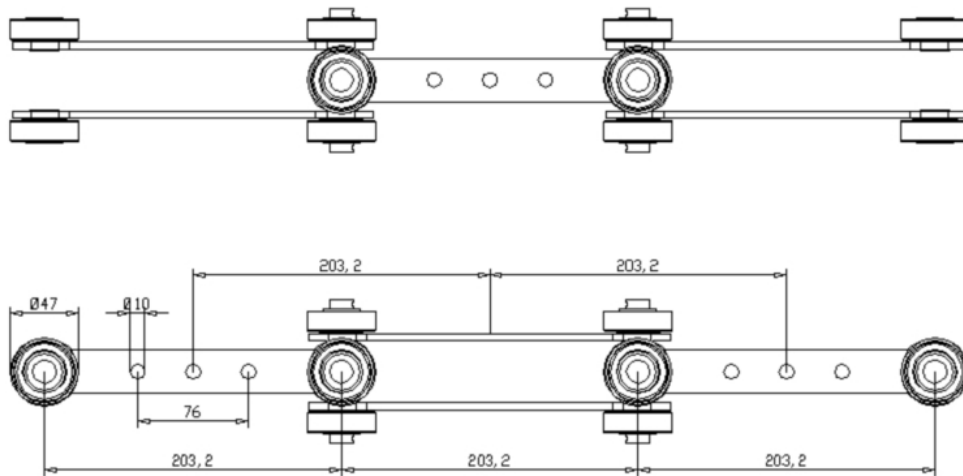


Teleflex D8 Chain

The Teleflex D8 cardan chain is the heart and soul of our T1, T4, T5 and F2 Power & Free conveyors.

The high quality, reliable and durable chain has a service life of many years when well maintained and lubricated.

The chain is offered at a standard pitch of 203.2 mm / 8", but can be made to any pitch dimension required when used with a worm drive unit.



Chain Bearings

We offer the D8 chain with both open type and closed type bearings, depending on the system requirements and the environment they will be used in.



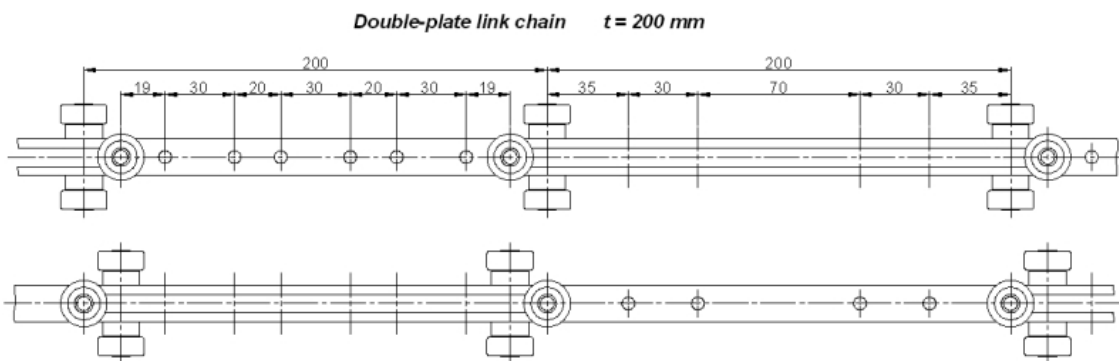
For example, open bearings are used in high-temperature applications and closed bearings in applications like sandblasting, where the bearings are protected against fine particles that could potentially clog the bearings.

Teleflex K8 and K10 Chain



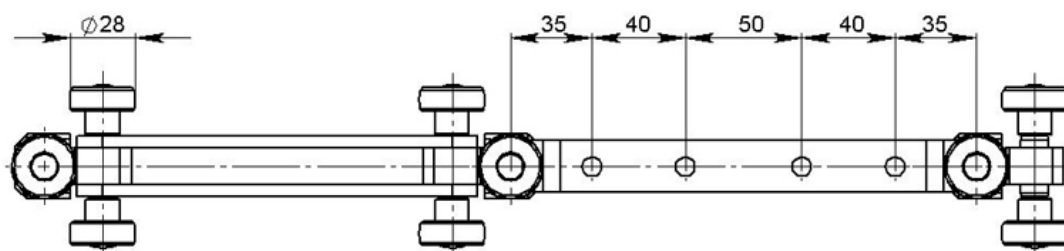
K8 Chain

The K8 cardan chain is a lightweight chain used in the K8 chain conveyor and can be produced at pitch lengths of 100, 150, 200 mm (3.9, 5.9, 7.9") with both single and double plate variations as required.

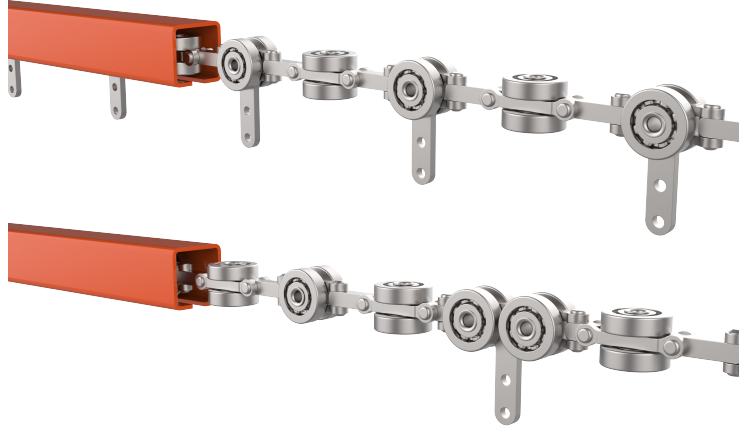


K10 Chain

The K10 cardan chain is used in the K10 chain conveyor and is produced at a standard pitch length of 200 mm / 7.9". Hanger plates can be hung at 200 mm / 7.9" at every vertical and horizontal link, and also at 400 mm / 15.7" at every vertical link.



SGC STS Chain



STS Chain

The STS chain is used in the STS chain conveyor and is produced at pitch lengths of 76.2 mm / 3" and 101.6 mm / 4" with both double and 4 wheel load link variations as required.

Guide rollers can be fitted to load links where greater product stability is required.

STS Chain Variations



550M Chain with Load Links and Semi Shielded Bearing



550M Chain with Load Links and Nylon Rollers



550M Chain with 4 Wheeled Load Links and Semi Shielded Bearings



550M Light Duty Side-Mounted Chain with Single Pin Pendants and Semi Shielded Bearings

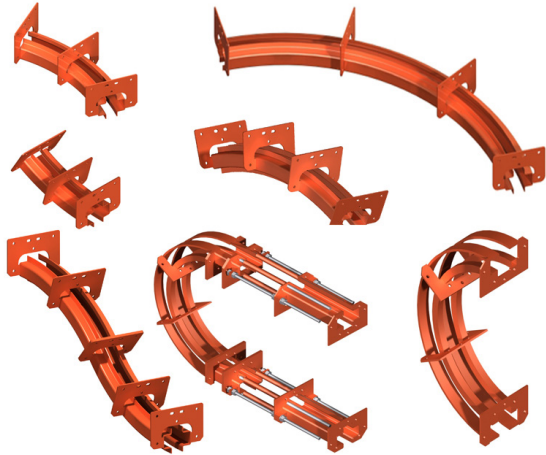


550M Medium Duty Side-Mounted Chain with Two-Pin Pendants and Semi Shielded Bearings

Horizontal and Vertical Bends

Horizontal

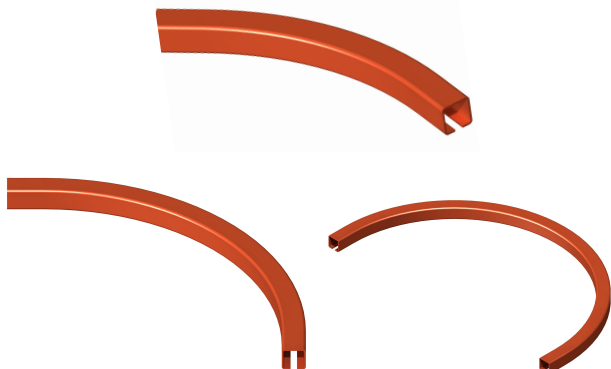
D8



K8 / K10

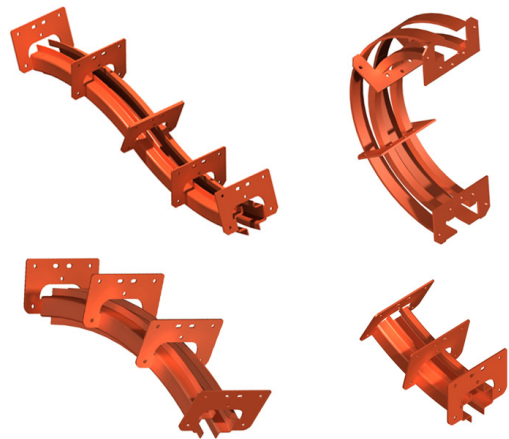


STS



Vertical

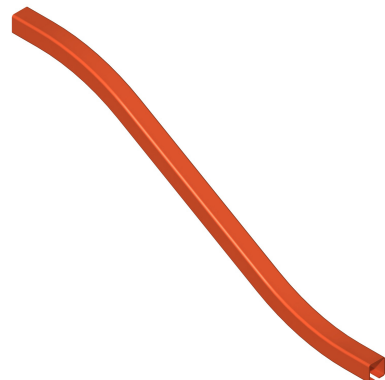
D8



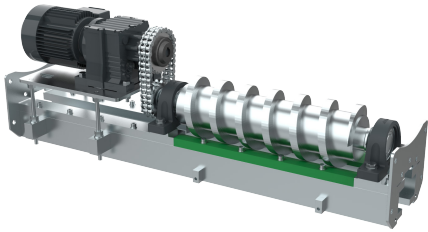
K8 / K10



STS



Drive Units



Worm / Helical Drive Unit

This worm drive unit is used to power the systems that use the D8 chain and ensures the smooth, quiet and precise movement of the chain through the track. It has very few moving components, meaning less wear and tear and easier maintenance.

Length:

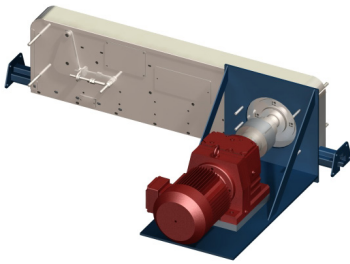
1000 mm / 39.4"

Pulling Force:

4000N

Weight:

113 kg / 250 lbs



K8 Caterpillar Drive Unit

This caterpillar drive unit ensures that the K8 chain moves smoothly along the K8 track. The caterpillar drive applies an equal and precise movement on the chain, allowing for longevity of the chain itself.

Length:

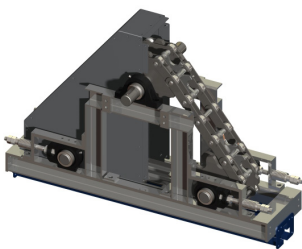
1275 mm / 50.2"

Pulling Force:

2500N

Weight:

80 kg / 176 lbs



K10 Caterpillar Drive Unit

This caterpillar drive unit ensures that the K10 chain moves smoothly along the K10 track.

Length:

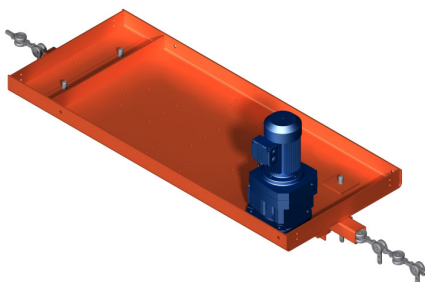
1225 mm / 48.2"

Pulling Force:

12000N

Weight:

275 kg / 606 lbs



STS Caterpillar Drive Unit

This caterpillar drive unit ensures that the STS chain moves smoothly along the STS track. It comes in light duty, heavy duty and side mounted variations.

Length:

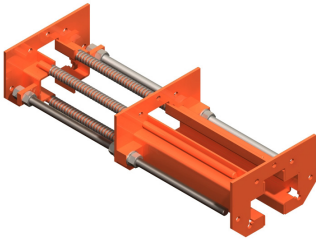
1675mm / 65.9"

Pulling Force:

Single Drive
Type 275L : 2750N

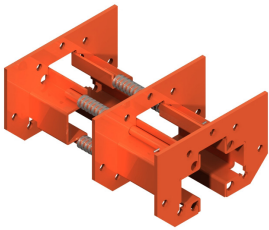
Double Drive
Type 550M : 5500N

Other Components



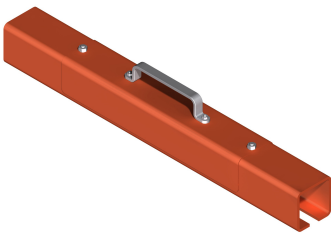
Tension Unit

The standard spring-guided tension unit is used to manually tension the chain in order to ensure the proper functioning of the chain in the system.



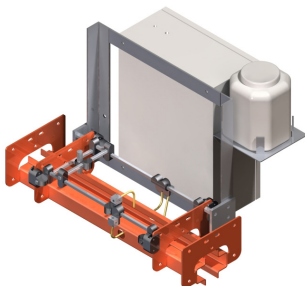
Expansion Unit

This expansion unit is usually installed in ovens and other high-temperature zones to accommodate the expansion of the rail and the chain during high-temperature applications.



Inspection Unit

This unit is used for maintenance of the system and is used to inspect the bearings of the trolleys and chain, so that lubricant can be applied manually if required.



Lubrication Unit

This unit is used to automatically lubricate the chain at set intervals. Mainly used in installations that use a type C3 (open bearing) chain, where temperatures are above 100°C / 212°F.



Koelenhofstraat 13,
4004 JR, Tiel
The Netherlands

+31 344 61 6363 | info@railtechniek.com

www.railtechniek.com

